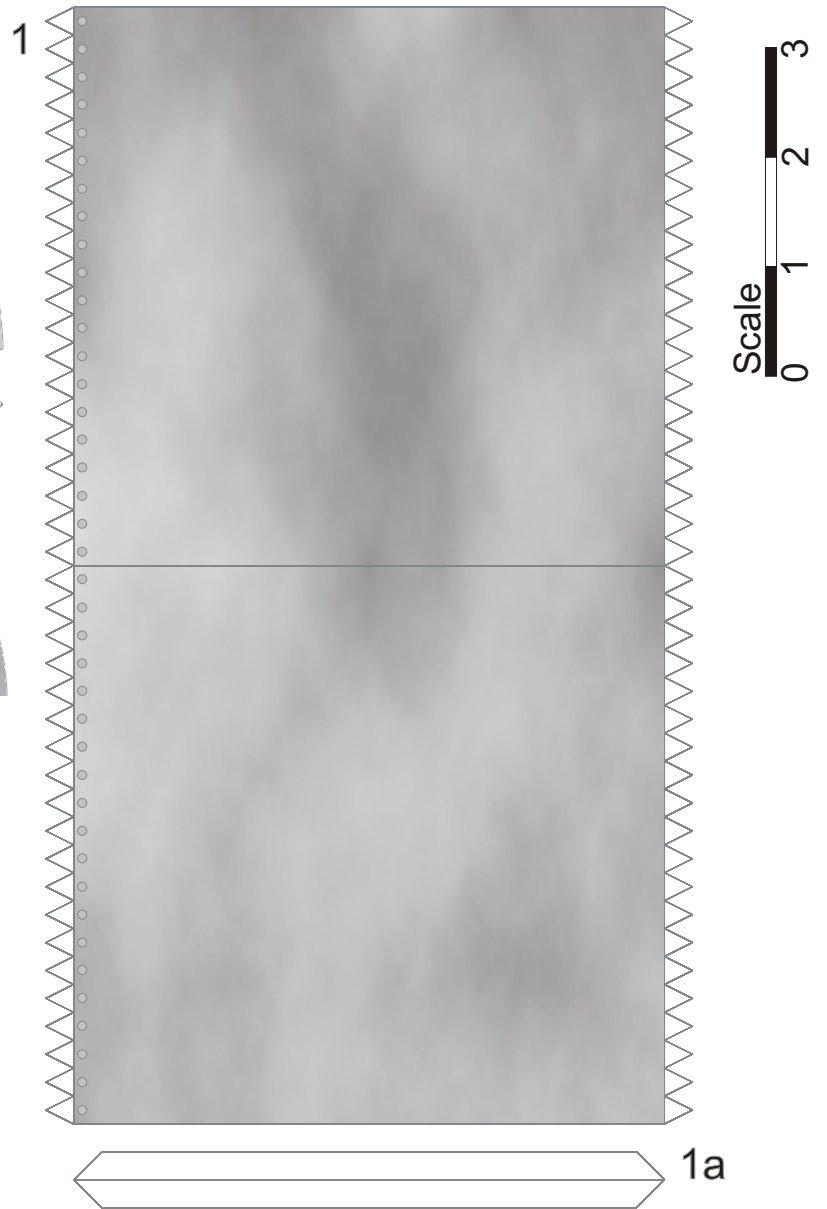
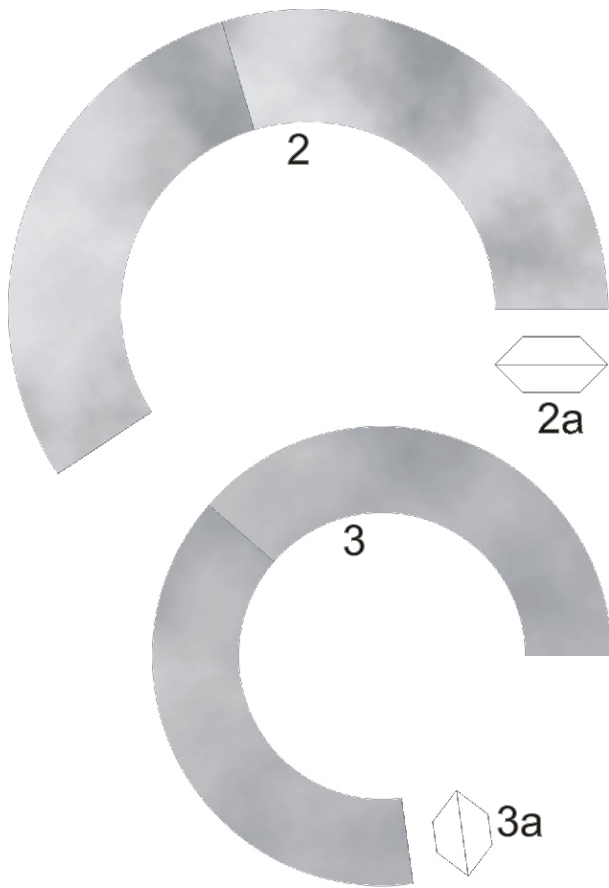
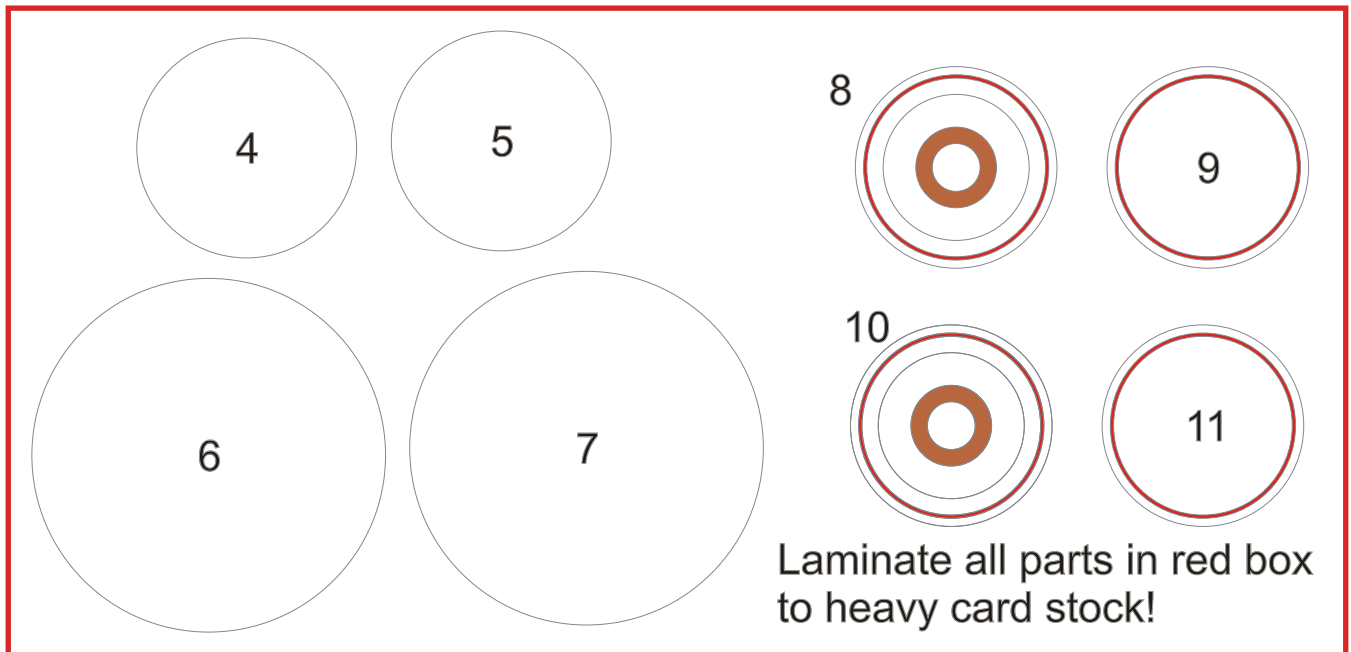
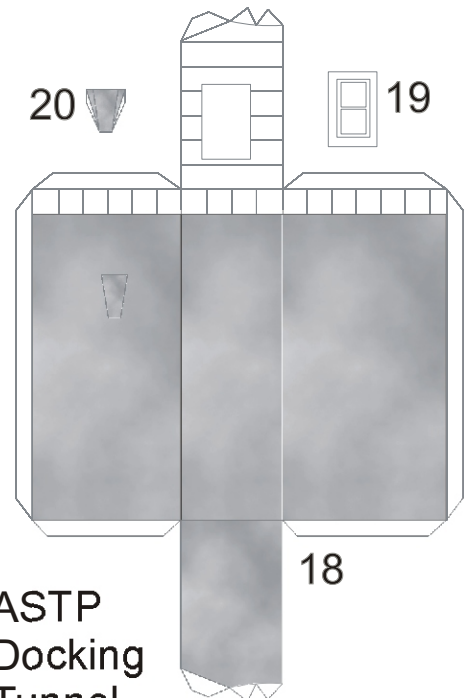
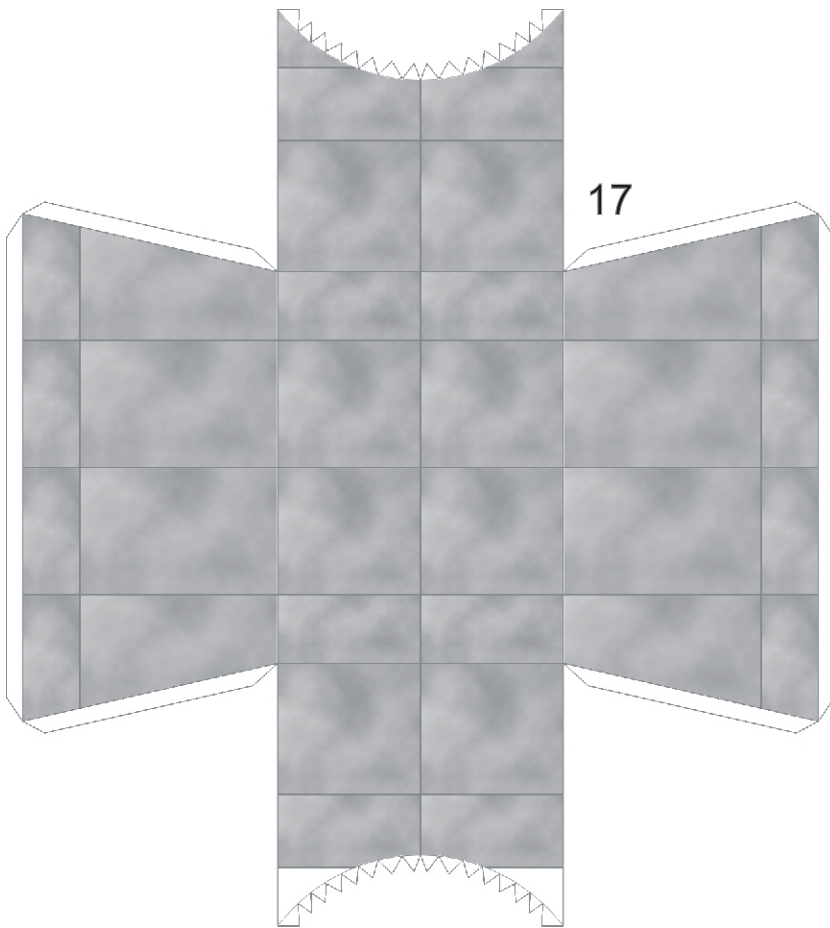
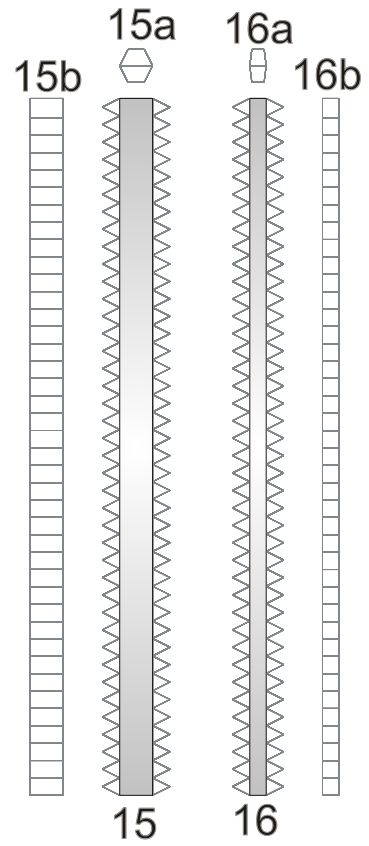
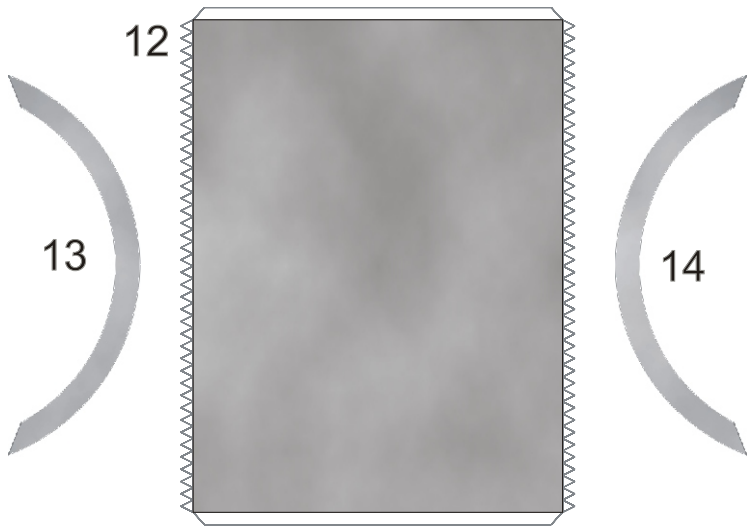


ASTP  
Docking  
Tunnel  
1:32 Scale  
Card Model

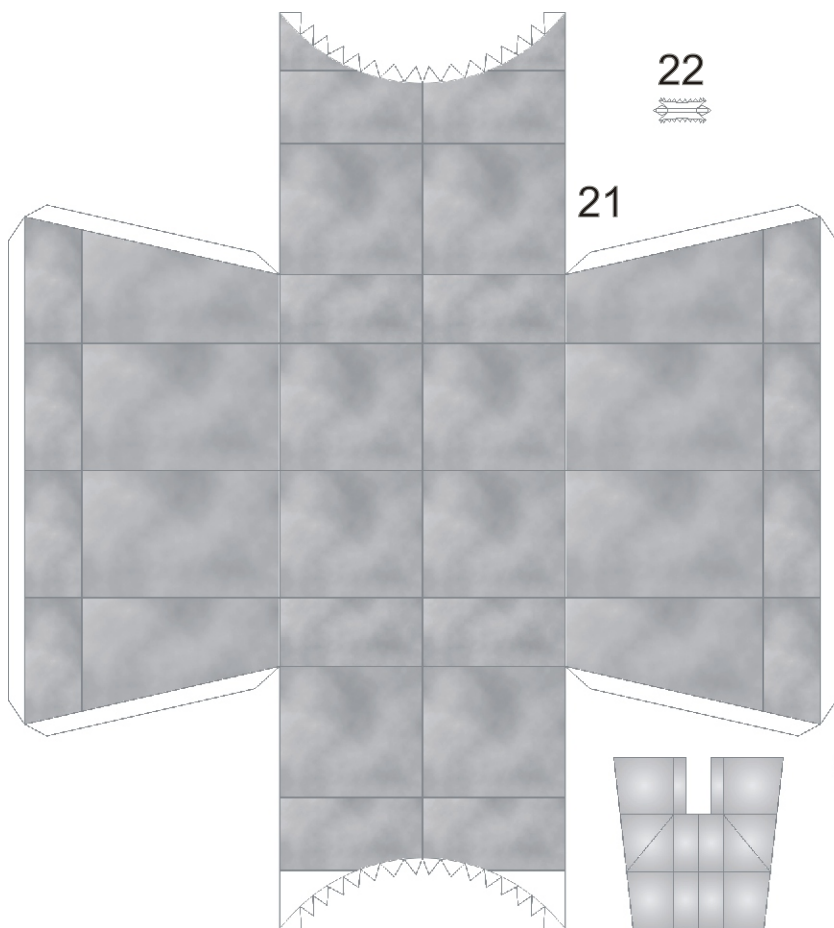
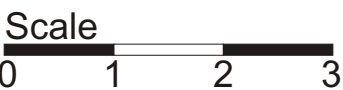


ASTP  
Docking  
Tunnel  
Page 1  
Outer Skin  
Scale 1:32



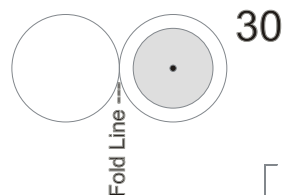
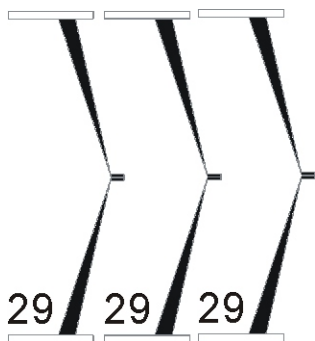
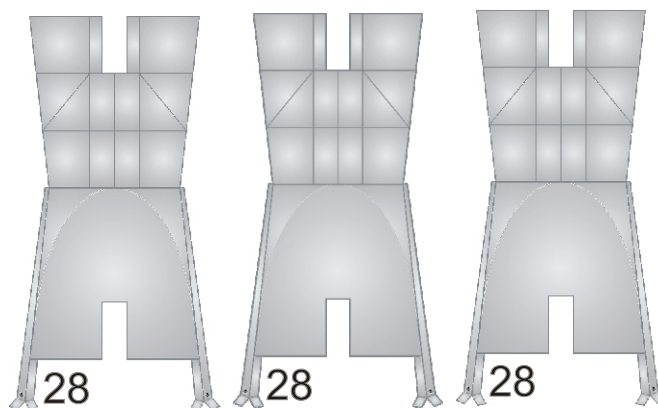
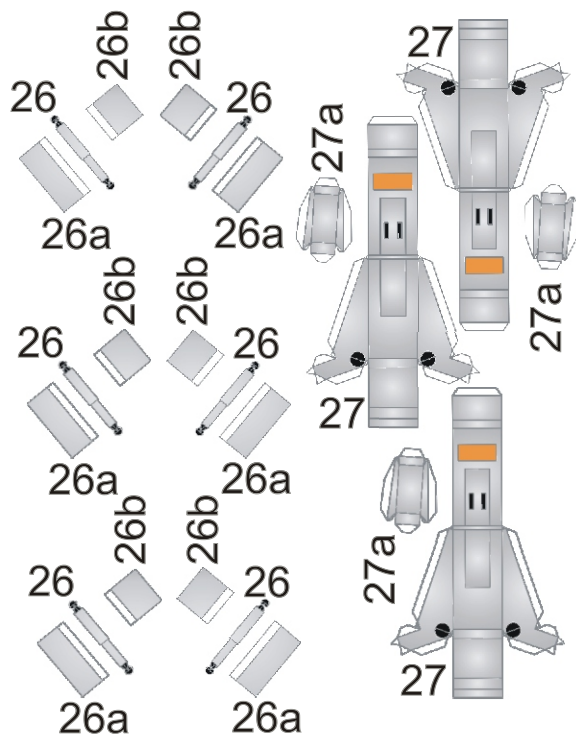


ASTP  
Docking  
Tunnel  
Page 2  
Outer Skin  
& Parts  
Scale 1:32

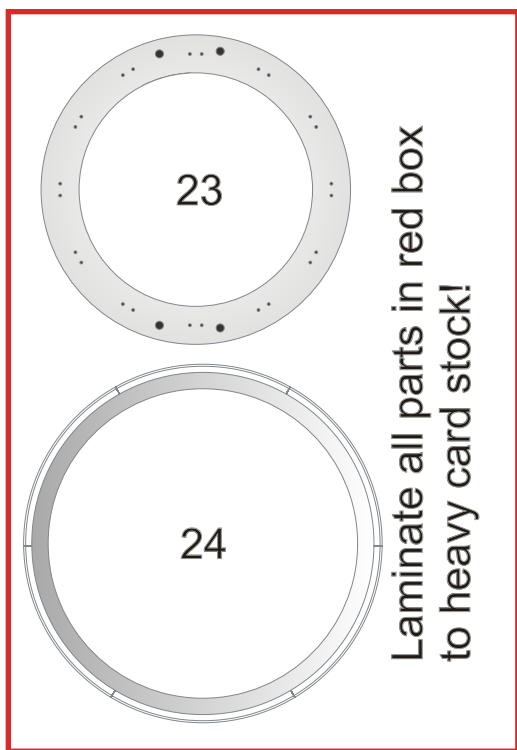


22

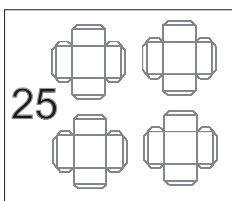
21

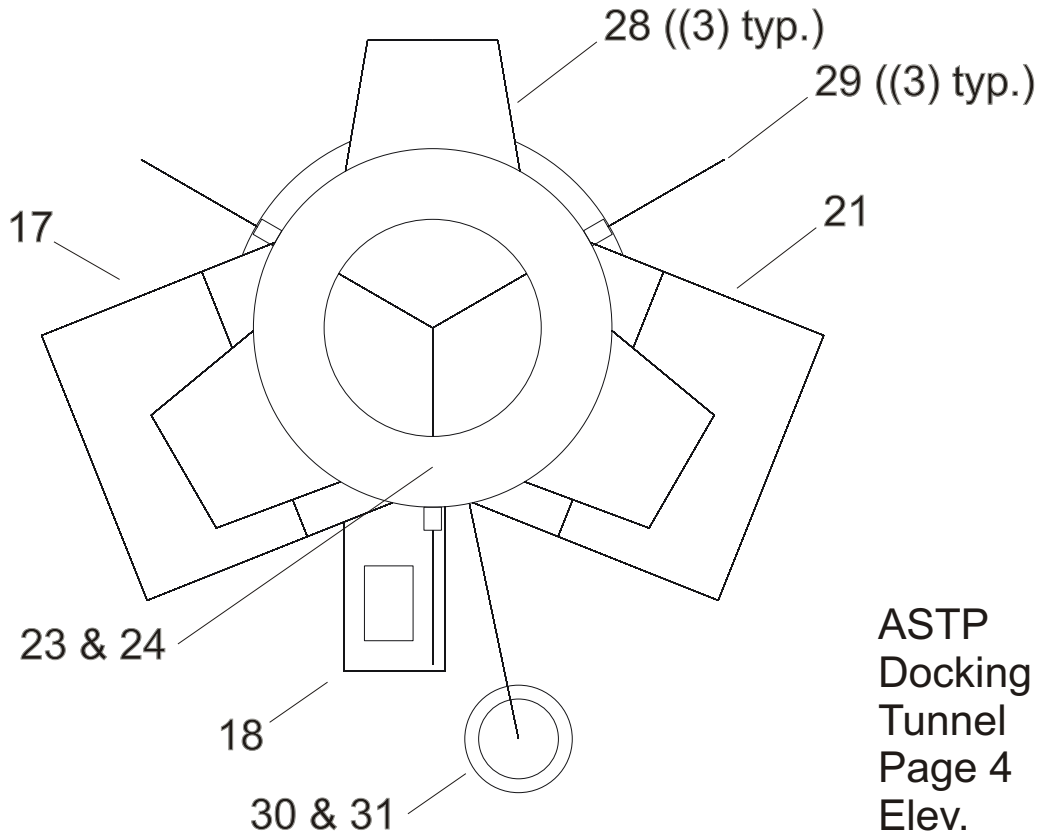
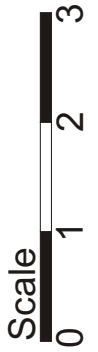
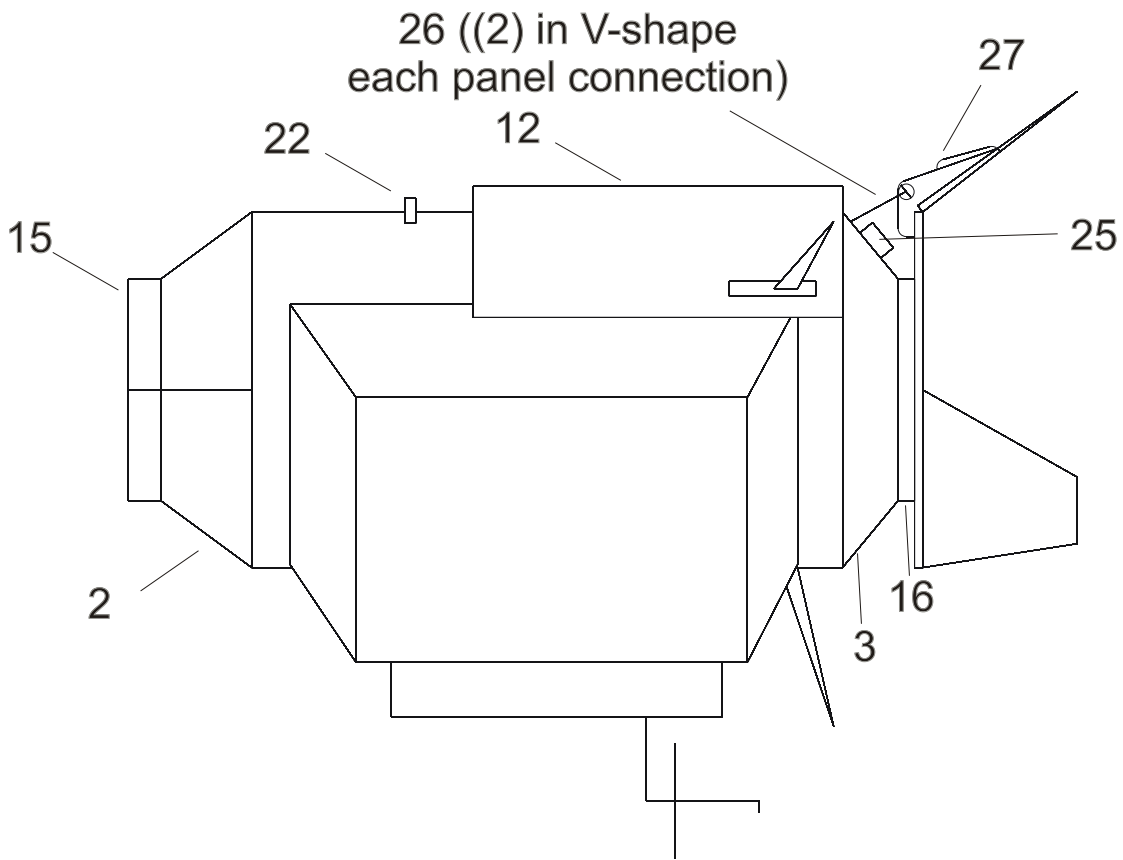


31 Ant. Pattern (Use Wire to make)



Laminate all parts in red box to heavy card stock!





ASTP  
Docking  
Tunnel  
Page 4  
Elev.  
Scale 1:32